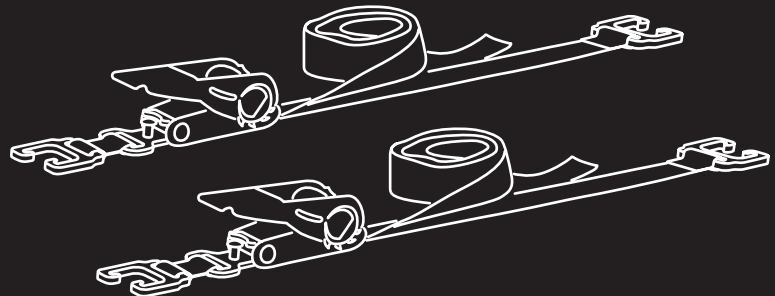
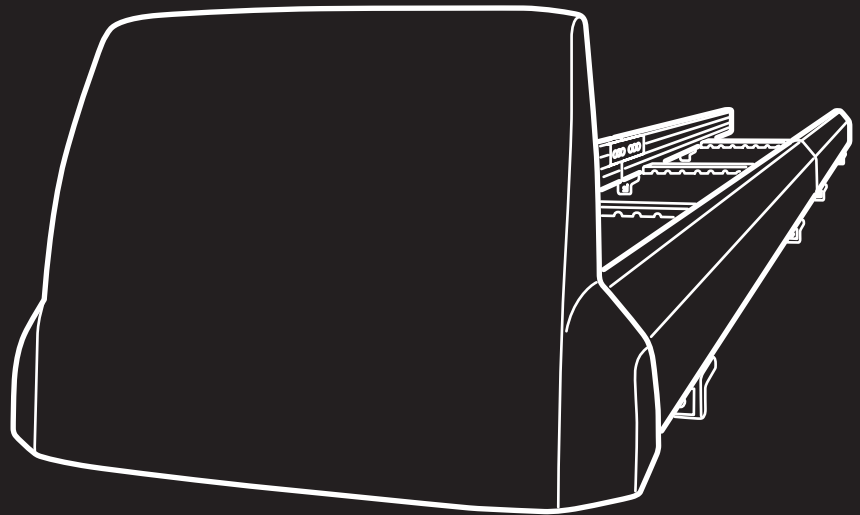
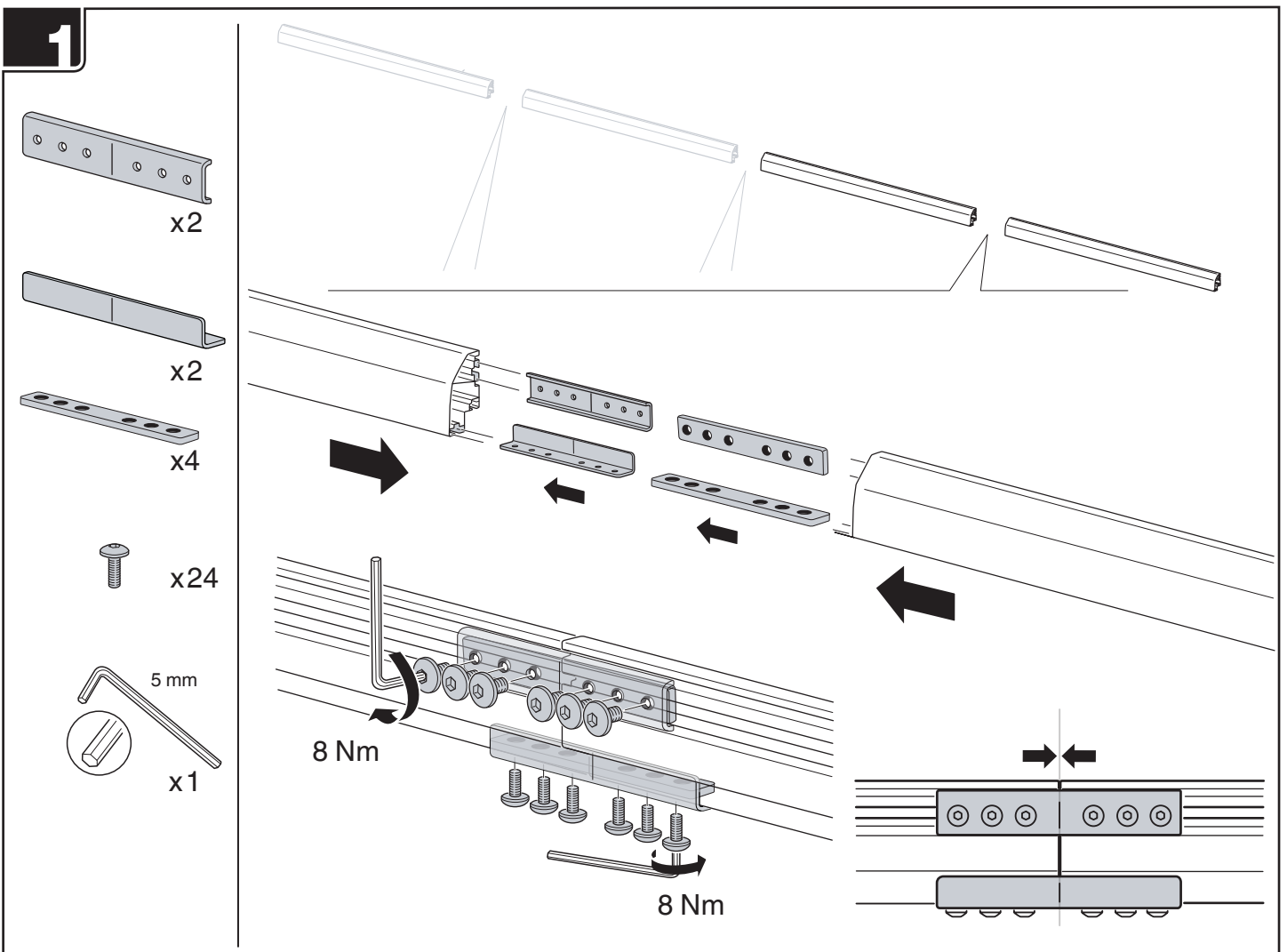
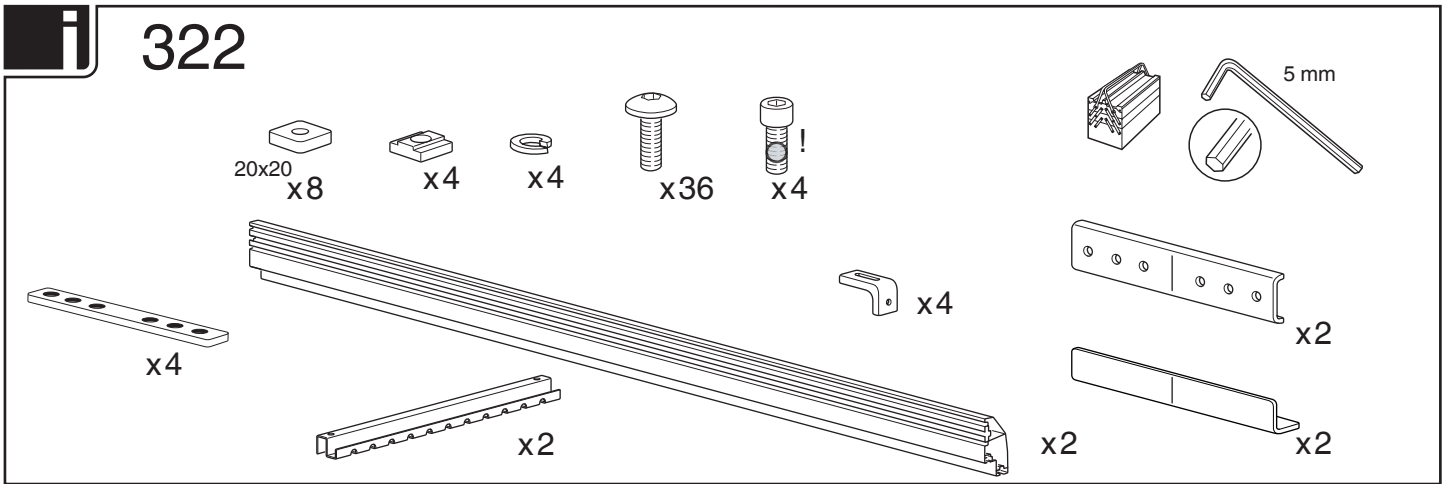
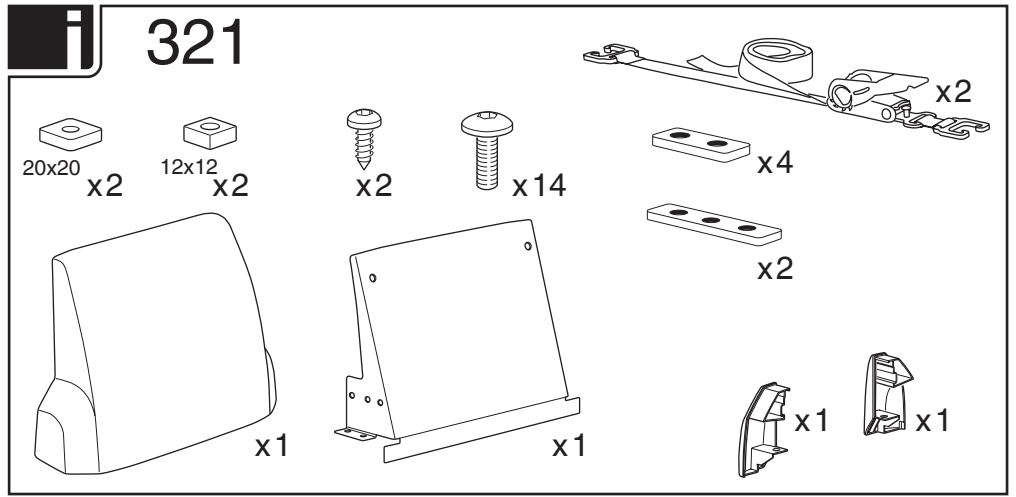
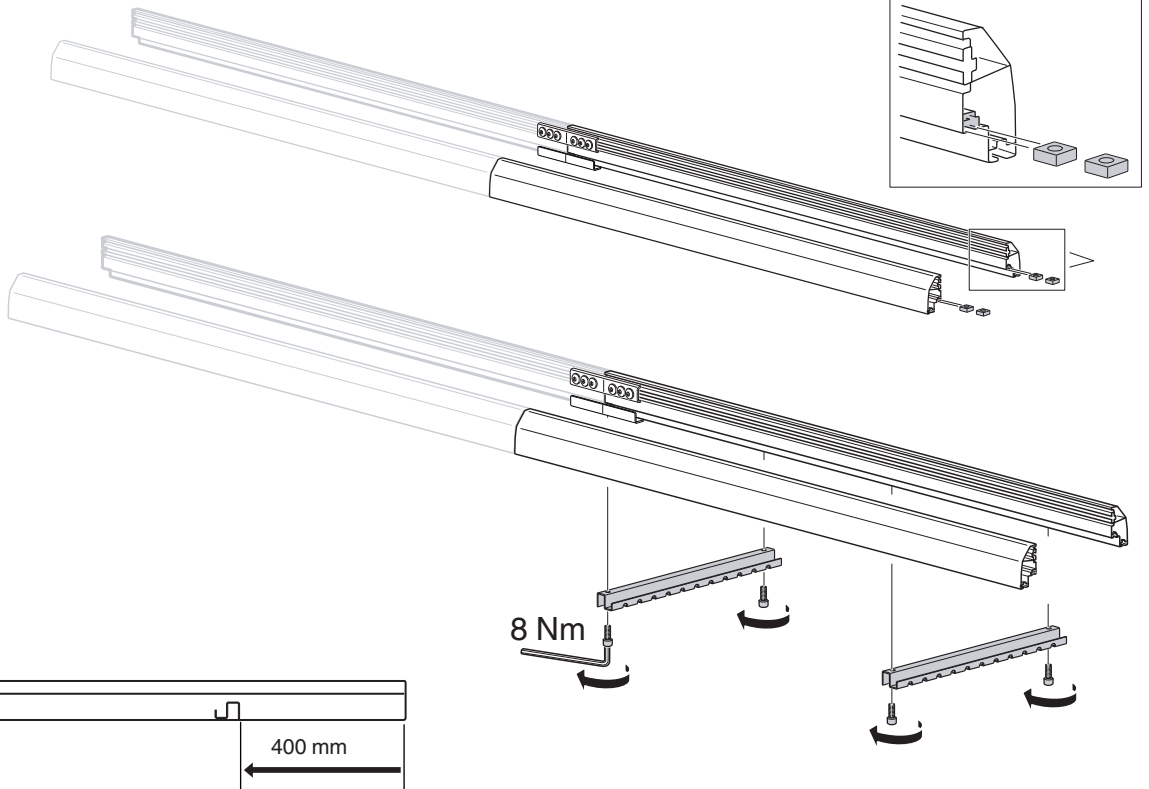
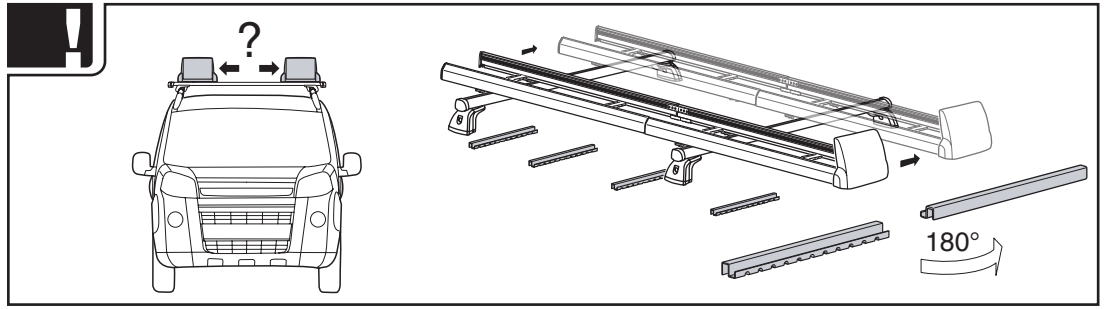
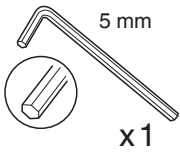
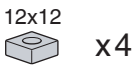
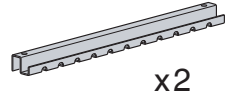
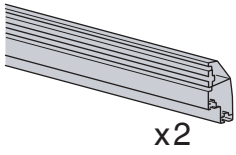
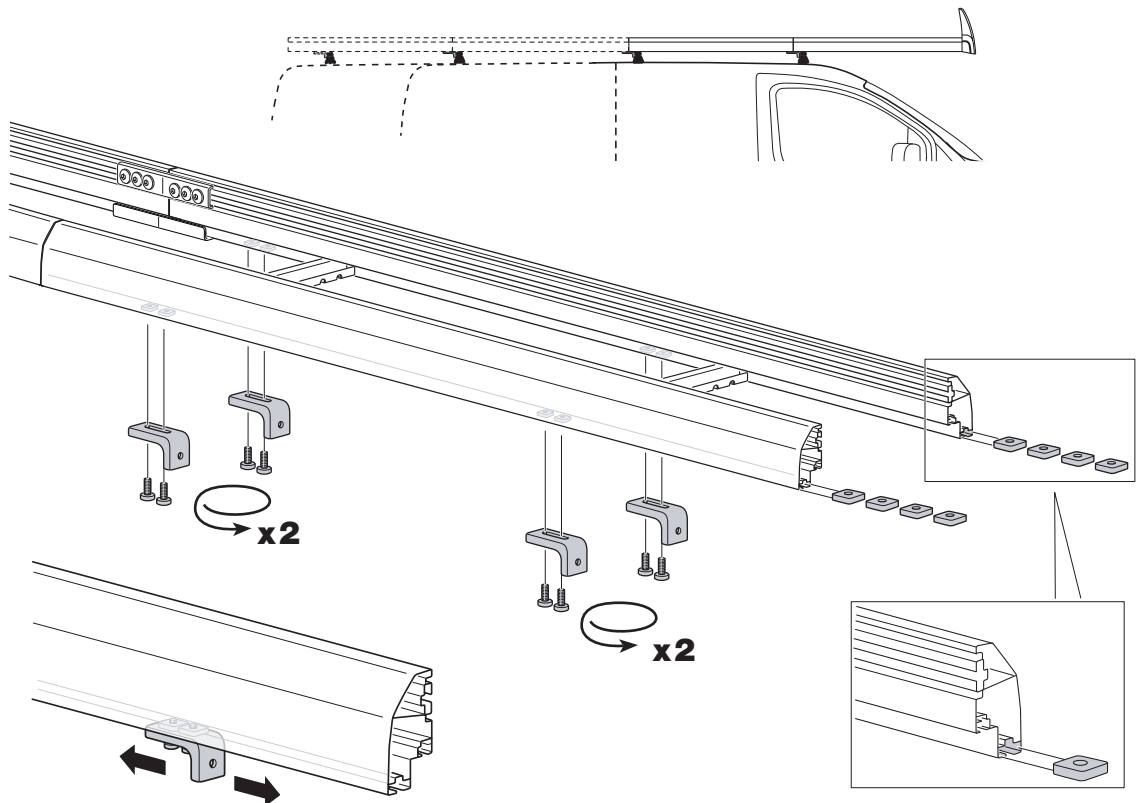
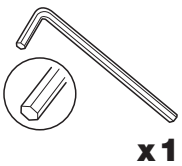
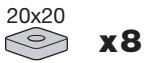


Front Load Stop **321, 322**

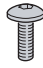


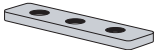
THULE[®]
SWEDEN
PROFESSIONAL




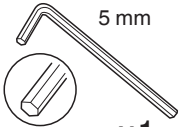
2**3**

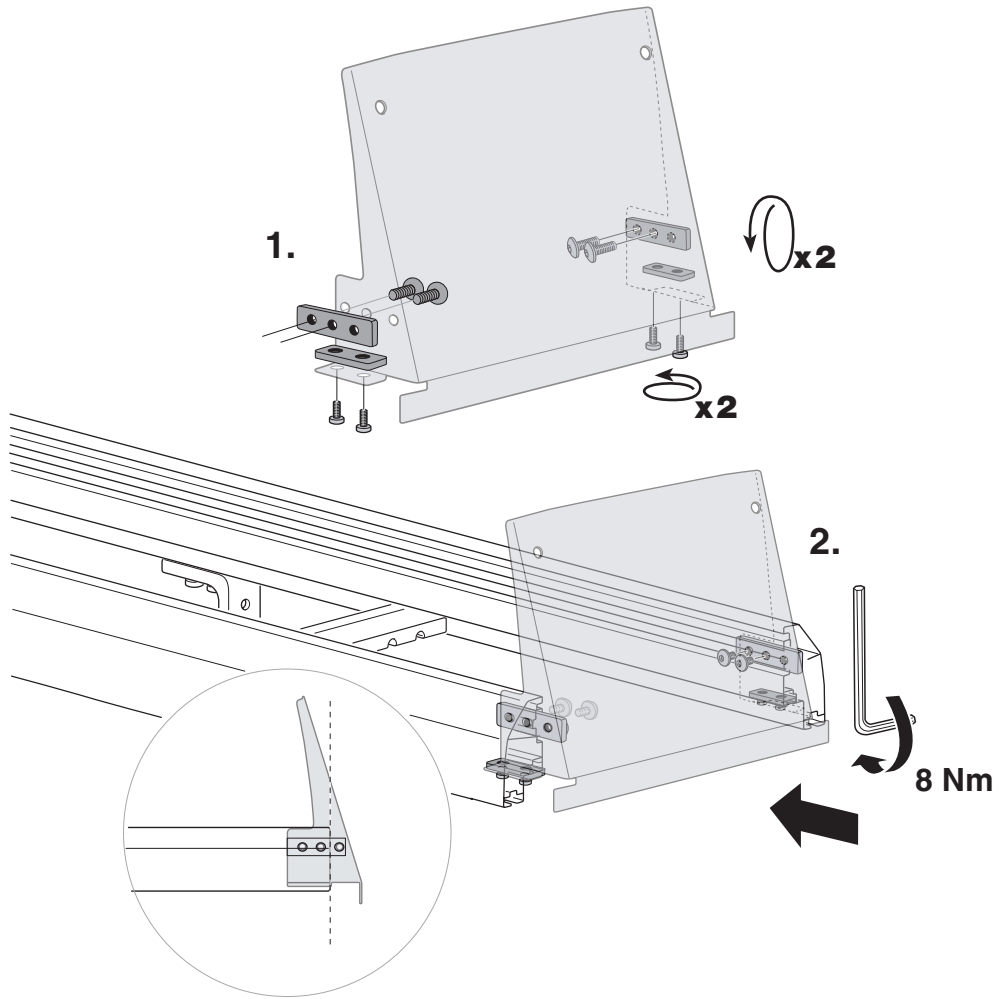
4

 x10

 x4

 x4

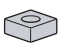
 5 mm
x1

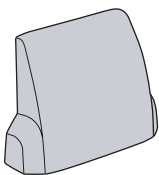


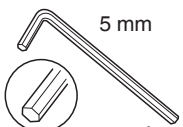
5

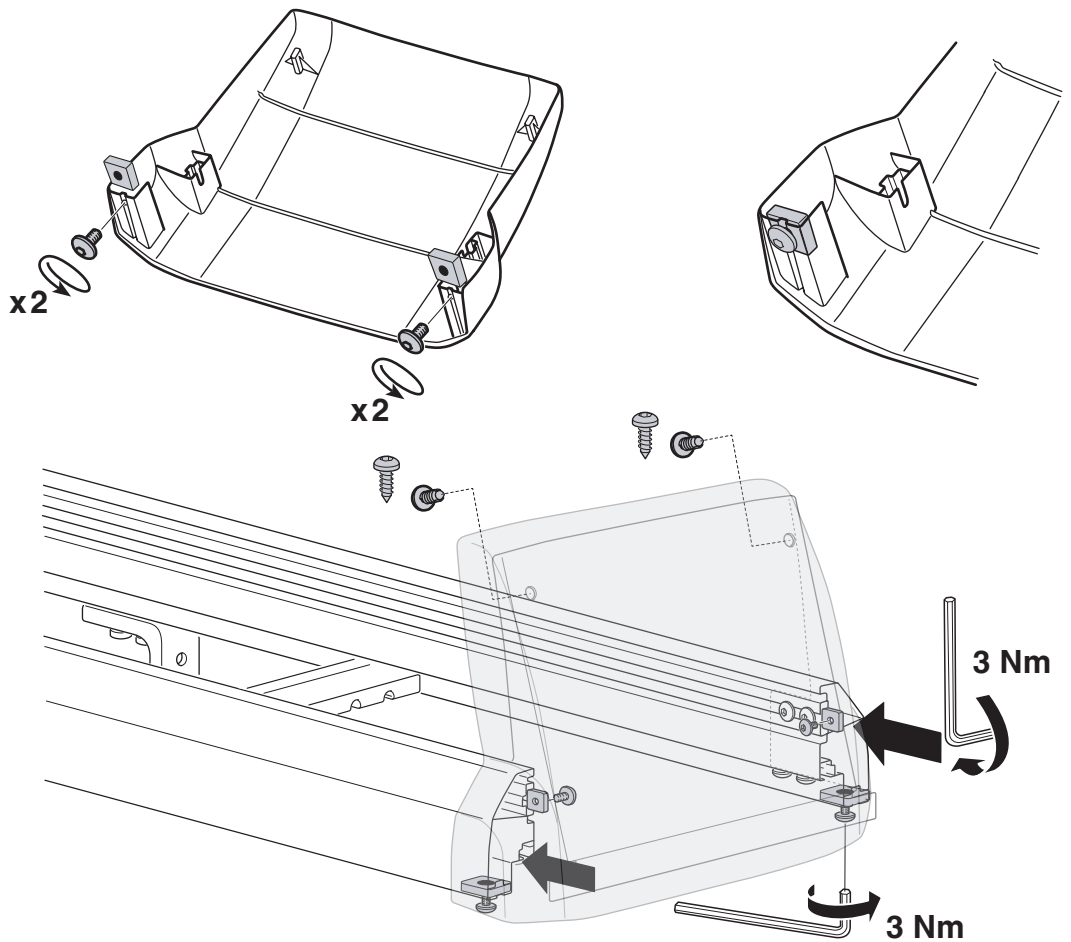
 x2

 x4



 x2

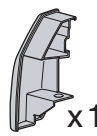

 x1

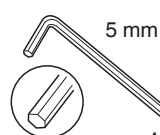

 5 mm
x1

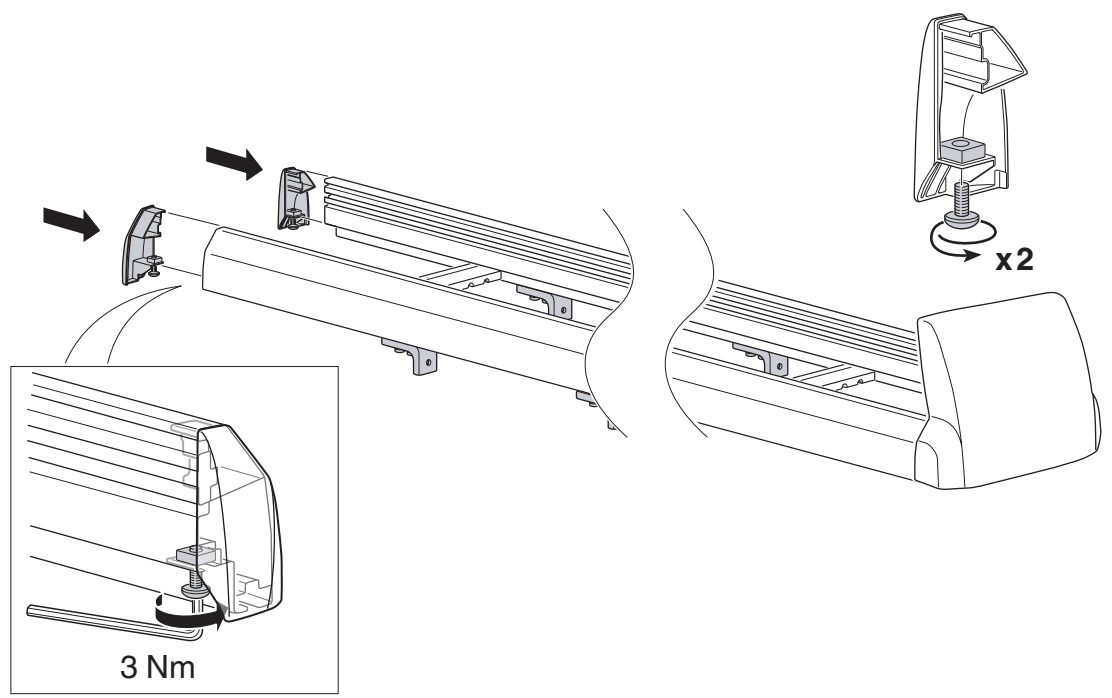


6


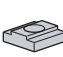
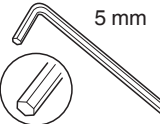

-  x2
-  x2

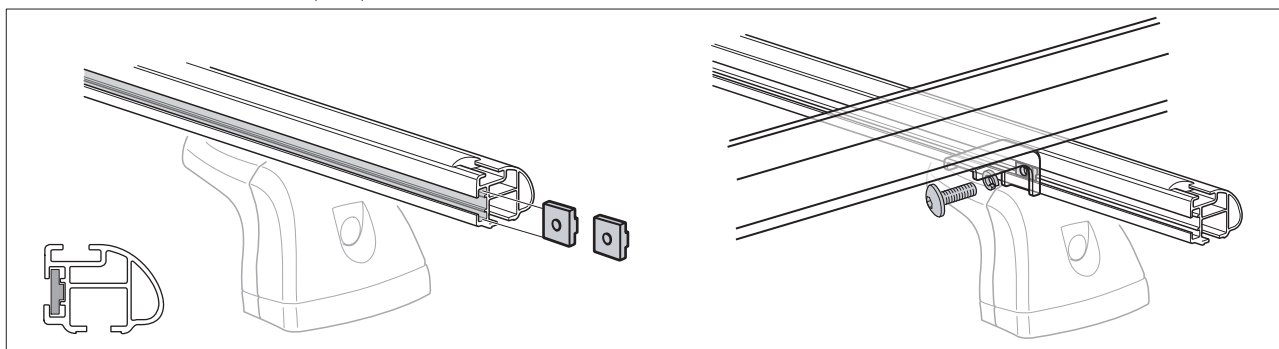
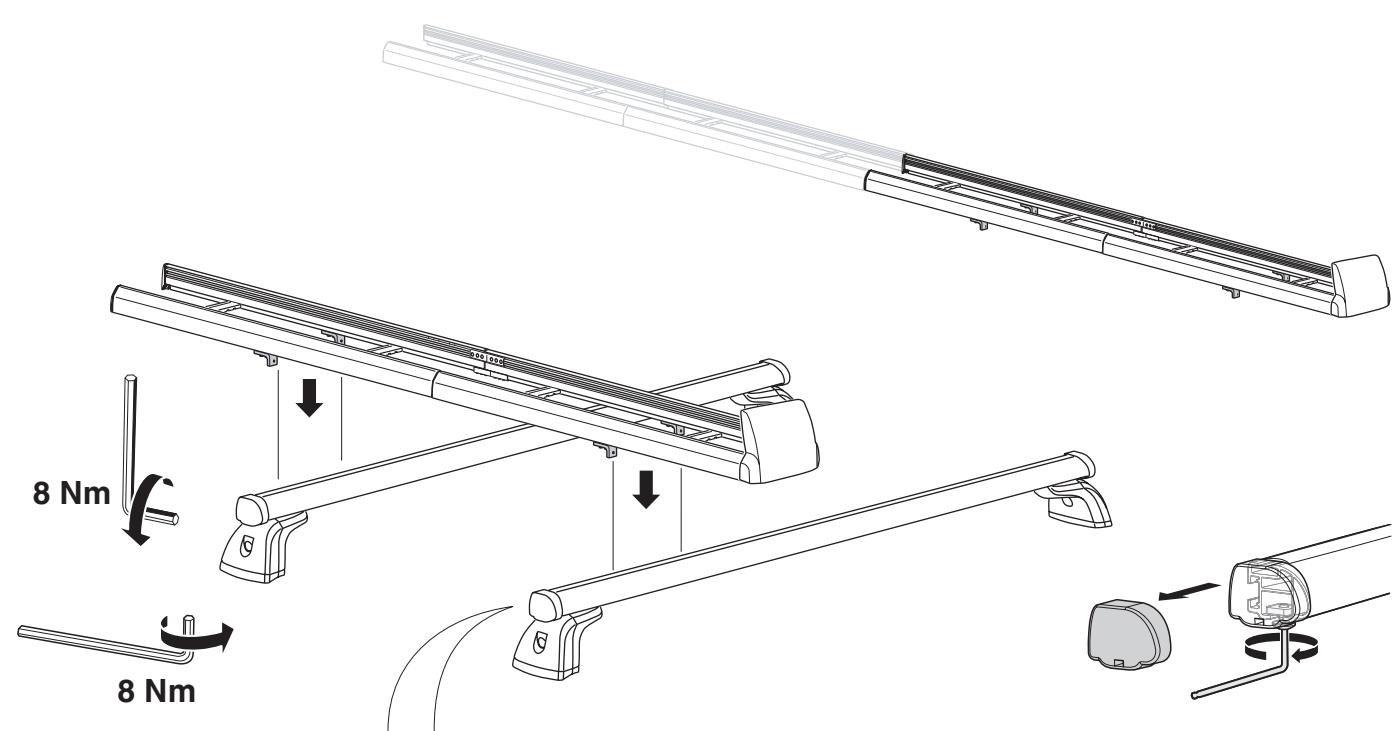
-  x1
-  x1

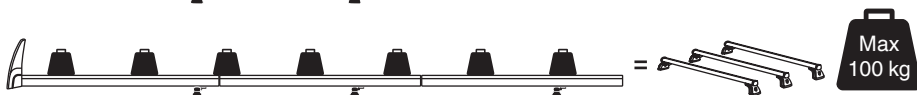
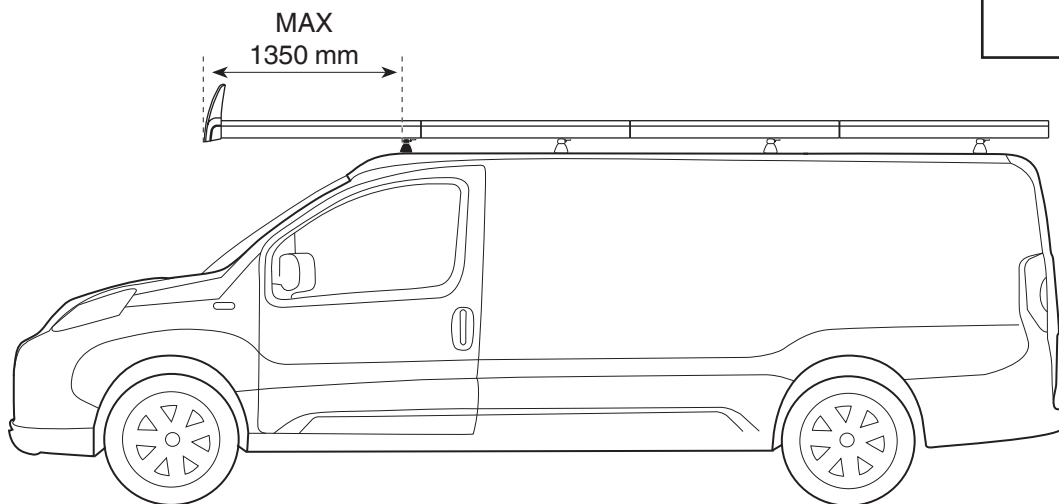
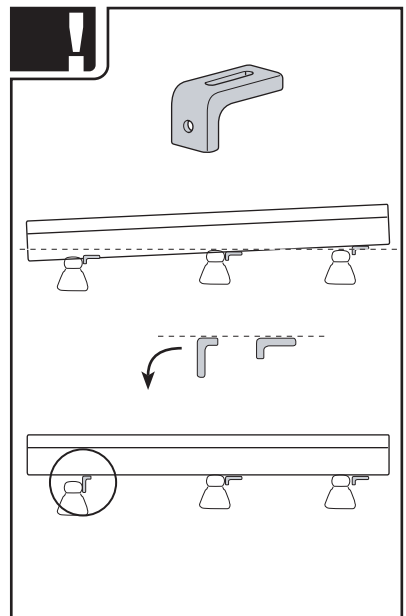
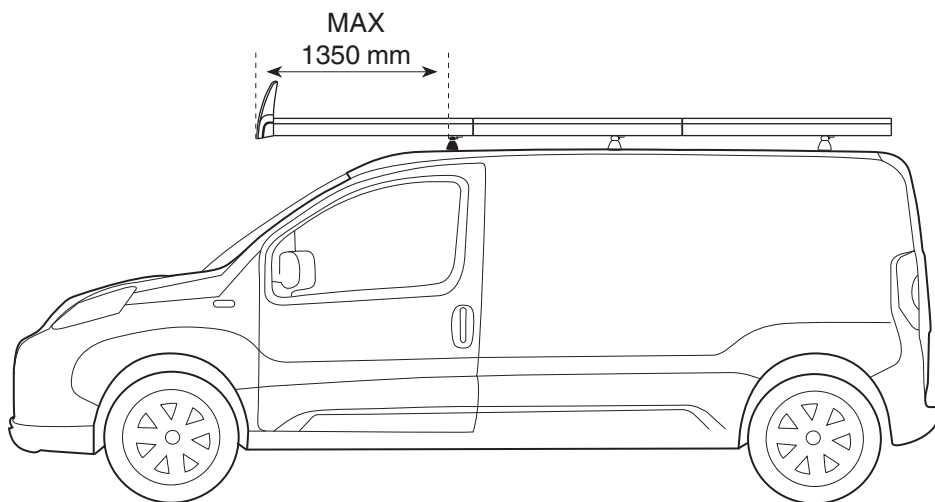
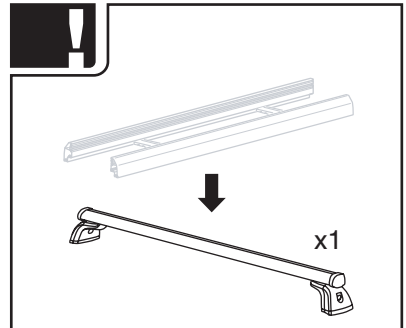
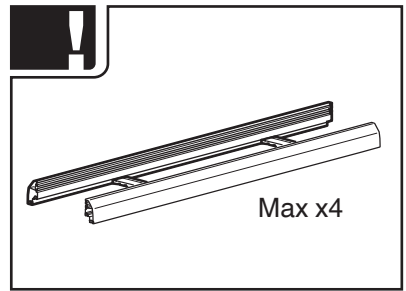
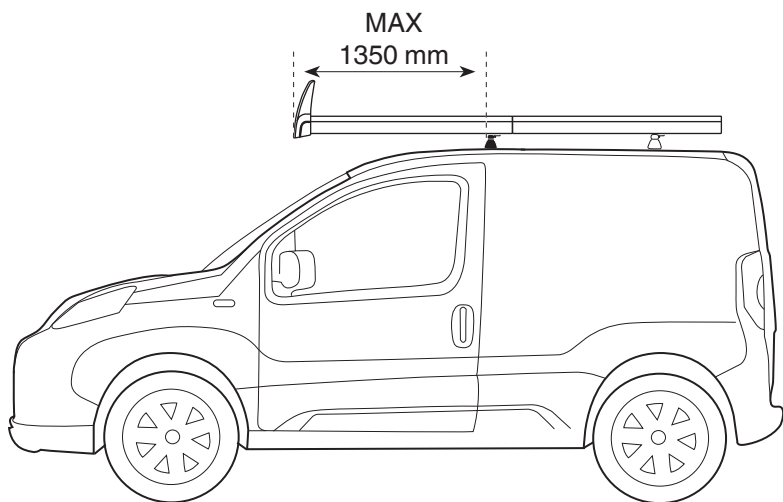
-  5 mm
-  x1



7

-  x4
-  x4
-  5 mm
-  x1





9

